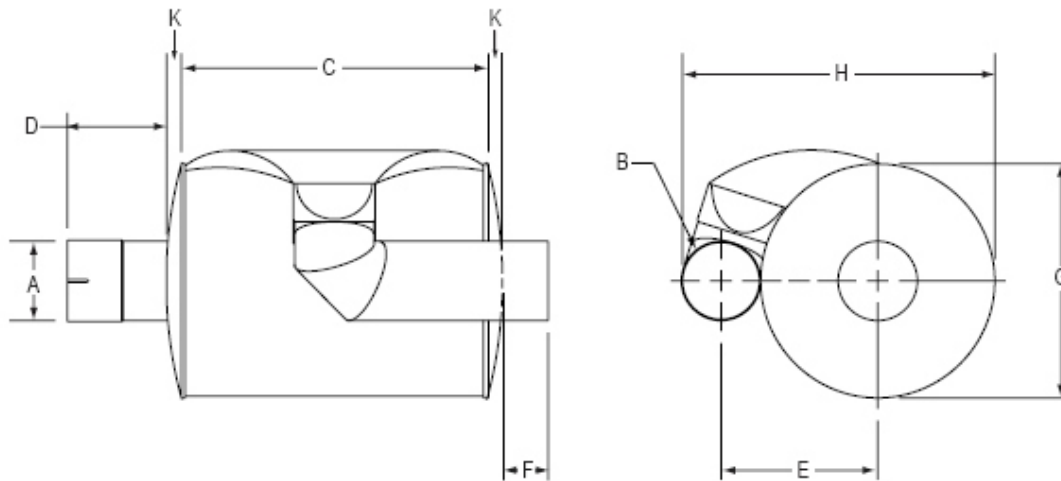




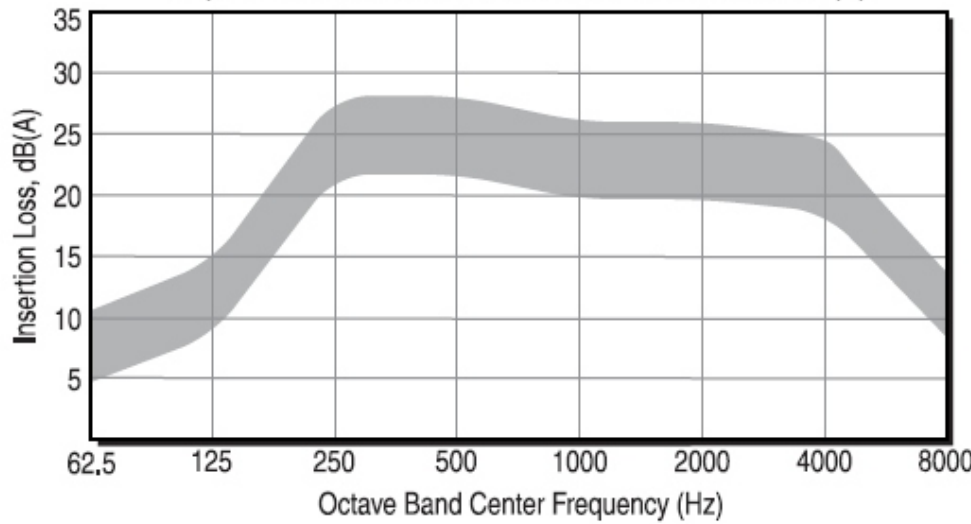
ENGINE EXHAUST SILENCERS

TS RESIDENTIAL GRADE — "TR" MODEL

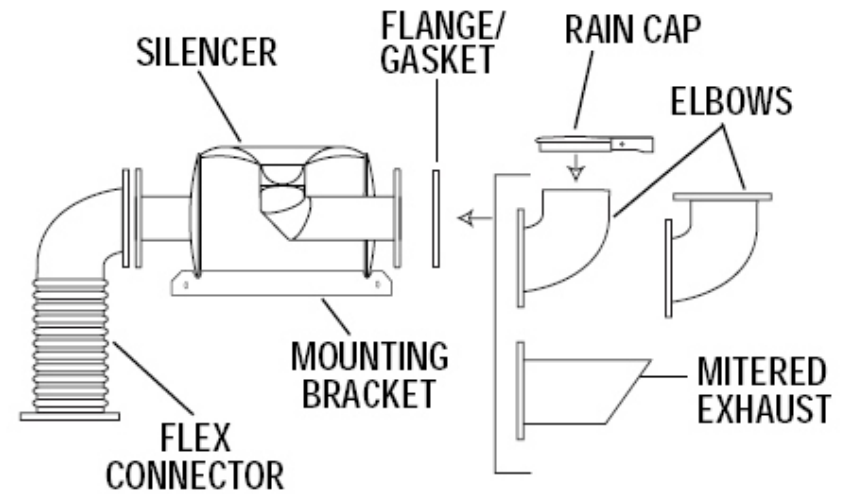


- Typical Insertion Loss = 22 — 28 dB(A)
(Actual Insertion Loss May Vary Per Application)
- Compact Spiral Chamber Design
- Low Back Pressure
- Aluminized Steel Construction
- Low Weight
- Standard Slip-Fit Connections
- Standard High Temp Finish
- Complete Line of Accessories and Mounting Brackets
- Stainless Steel Construction & Factory Customization Available

Representative Cowl Insertion Loss - TS Series dB(A)



Engine Exhaust Silencer & Accessories



Not pictured: Insulation Blanket

DIMENSIONS IN INCHES/MILLIMETERS, WEIGHT IN POUNDS/KILOGRAMS

PART NO.	A inch / mm	B inch / mm	C inch / mm	D inch / mm	E inch / mm	F inch / mm	G inch / mm	H inch / mm	K inch / mm	WEIGHT pounds / kg
TS15TRS000	1.50 / 38	1.50 / 38	5.24 / 133	2.50 / 64	4.34 / 110	2.07 / 53	7.18 / 182	8.68 / 220	.50 / 13	11 / 5
TS20TRS000	2.00 / 51	2.00 / 51	7.24 / 184	3.50 / 89	4.59 / 117	2.07 / 53	7.18 / 182	9.18 / 223	.50 / 13	15 / 7
TS25TRS000	2.50 / 64	2.50 / 64	8.24 / 209	3.50 / 89	5.66 / 144	2.07 / 53	8.81 / 224	11.31 / 287	.50 / 13	20 / 9
TS30TRS000	3.00 / 76	3.00 / 76	9.24 / 235	5.25 / 133	7.41 / 188	2.07 / 53	11.81 / 300	14.81 / 376	.75 / 19	32 / 15
TS35TRS000	3.50 / 89	3.50 / 89	11.49 / 292	5.25 / 133	7.66 / 195	2.26 / 57	11.81 / 300	15.31 / 389	.75 / 19	38 / 18
TS40TRS000	4.00 / 102	4.00 / 102	15.49 / 393	5.25 / 133	7.91 / 201	2.35 / 60	11.81 / 300	15.81 / 402	.75 / 19	47 / 22
TS45TRS000	4.50 / 114	4.50 / 114	12.49 / 317	5.00 / 127	10.28 / 261	2.57 / 65	16.06 / 408	20.56 / 522	1.00 / 25	66 / 30
TS50TRS000	5.00 / 127	5.00 / 127	16.49 / 419	5.00 / 127	10.53 / 267	2.57 / 65	16.06 / 408	21.06 / 535	1.00 / 25	74 / 34
TS60TRS000	6.00 / 152	6.00 / 152	22.49 / 571	5.00 / 127	11.03 / 280	2.57 / 65	16.06 / 408	22.06 / 580	1.00 / 25	94 / 43
TS70TRS000	8.00 / 203	8.00 / 203	15.35 / 390	6.55 / 166	15.00 / 381	3.97 / 101	22.00 / 559	30.00 / 762	1.45 / 37	105 / 48
TS80TRS000	8.00 / 203	8.00 / 203	24.27 / 616	6.55 / 166	15.00 / 381	3.97 / 101	22.00 / 559	30.00 / 762	1.45 / 37	162 / 74
TS100TRS000	10.00 / 254	10.00 / 254	30.08 / 764	6.25 / 159	19.00 / 483	2.62 / 87	28.00 / 711	38.00 / 965	1.75 / 44	268 / 122
TS120TRS000	12.00 / 305	12.00 / 305	36.08 / 916	5.75 / 146	22.50 / 572	3.71 / 94	33.00 / 838	45.00 / 1143	2.25 / 57	380 / 173