

THE MOST EFFICIENT UNIT FOR CONVERTING AN ICEBOX OR INSULATED CAVITY INTO A GOOD REFRIGERATOR.

D.C. REFRIGERATION

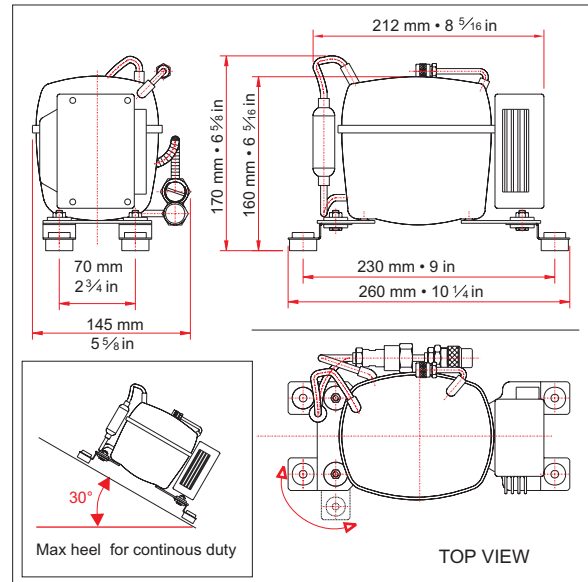
FRIGOMATIC K35F & K50F

- Water cooling with keel cooler saves more than 20% compared to air cooling.
- Keel cooler eliminates the need of independent sea water pump.
- Danfoss compressor of the latest generation with electrical consumption 25% lower compared to other compressor concepts.
- Extremely compact dimensions.
- Maximum efficiency.
- Precharged system equipped with Frigoboat self sealing couplings.
- Configuration with evaporators for fridges up to 350 litres (12 cu.ft.) and freezers up to 80 litres (2.8 cu.ft.).
- Version with holding plate for fridges up to 160 litres.
- Automatic battery protection.
- Optional 230V automatic mains adaptor.

-25%



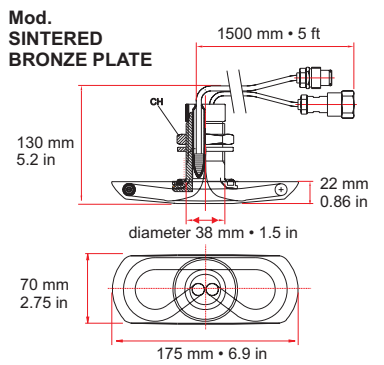
K 35 F Part N. E50345X
K 50 F Part N. E51975



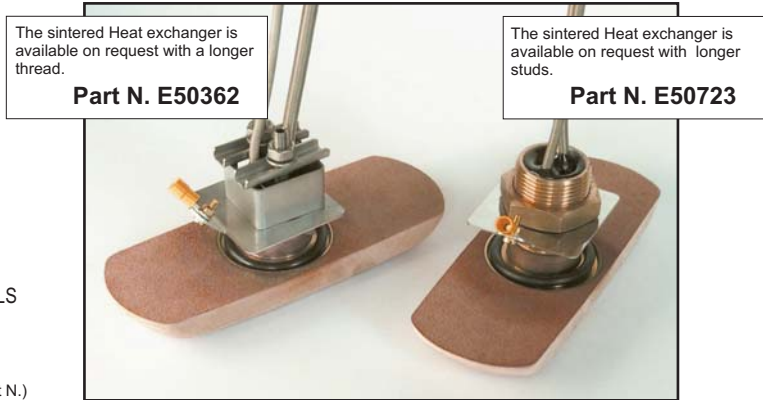
Automatically runs on either 12 to 24 Volts



THE KEEL COOLER IS MANUFACTURED FROM MARINE GRADE BRONZE WITH CUPRO-NIKEL PIPING.



ALL MODELS AVAILABLE WITH ZINC ANODES (add Z to part N.)



Part N. E50361
THREAD MOUNT

Part N. E50722
STUD MOUNT

D.C. REFRIGERATION

PRECHARGED EXTENSIONS
(Options)

COMPRESSOR SIDE EVAPORATOR SIDE

L	Part N..
1m•3ft	E50255
2m•6ft	E50260
3m•10ft	E50265
4m•13ft	E50270
5m•16ft	E50275
6m•20ft	E50280

Automatic mains adaptor 230V **E51305**

Vertical ice tray single **A090400** double **A090500**

FRIGOMATIC K35F & K50F

SYSTEM CONFIGURATION

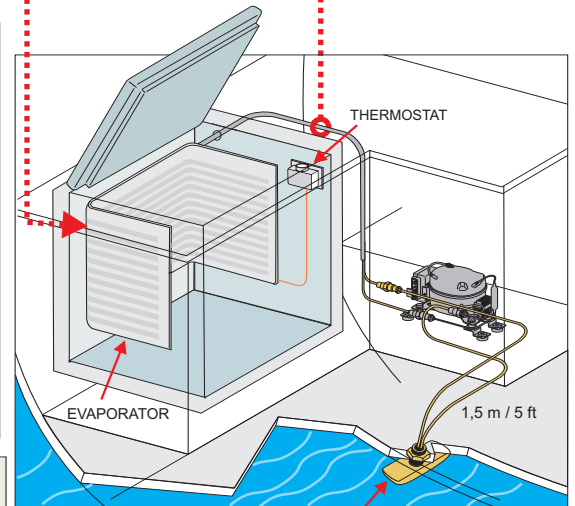


TABLE OF EVAPORATOR COMPATIBILITY

EVAPORATOR MODEL	Part N.	MAXIMUM CAPACITY LITRES/cu.ft.		DIMENSIONS (mm•in)					
		FRIDGE	RPM*	FREEZER	RPM*	WIDTH	DEPTH	HEIGHT	
FRIGOMATIC K 35F	130H	E50065	120•4.2	2500	50•1.8	3000	255•10	210•8.26	70•2.75
	160H	E50090	160•5.6	2500	60•2.1	3000	320•12.6	210•8.26	115•4.52
	80F	E50881	80•2.8	2000	----	----	330•13	-----	245•9.65
	130F	E50085	160•5.6	2500	60•2.1	3000	590•23.22	-----	210•8.26
	160F	E50095	180•6.3	2500	70•2.5	3500	805•31.7	-----	210•8.26
FRIGOMATIC K 50 F	200H	E50070	200•7	3000	80•2.8	3500	360•14.17	270•10.63	150•5.9
	200F	E50075	240•8.5	3000	80•2.8	3500	1020•40.15	-----	270•10.63
	200B	E50100	220•7.8	3000	80•2.8	3500	325•12.8	245•9.65	270•10.63
	340B	E50105	340•12	3500	80•2.8	3500	380•15	150•5.9	290•11.41

*RPM = SUGGESTED COMPRESSOR SPEED

TECHNICAL CHARACTERISTICS

	35F	50F	35F	50F	35F	50F	35F	50F
Compressor speed RPM	2000	2000	2500	2500	3000	3000	3500	3500
Capacity (+35°/ -10°C) Btu/h	290	330	360	420	415	492	480	570
Consumption in Amp (12V)	2,53	3,67	3,36	4,68	3,93	5,68	4,63	6,80
Consumption in W	30	44	40	56	47	66	56	81

Weight	5,8 Kg • 12.7 lbs
Shipping weight	6,6 Kg • 14.5 lbs

SUPPLY TOLERANCE

12 V	24 V
10.5 - 17 V	21 - 32 V

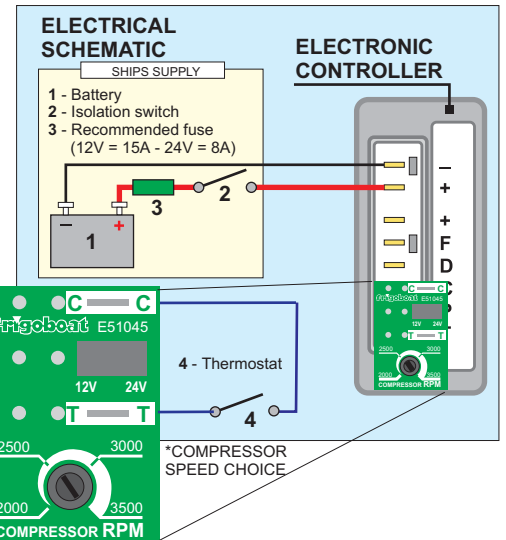
THERMOSTAT

FRIDGE
Part N. **E250500**

FREEZER
Part N. **E250700**

DOUBLE
Part N. **E261300**

FOR HOLDING PLATES
Part N. **A020300**



ELECTRICAL CABLES TABLE

Size	mm ² Awg	max distance			
		12 V		24 V	
2,5	14	2,5	8.2	5	16.4
4	12	4	13.1	8	26.2
6	10	6	19.6	12	39.4
10	8	10	32.8	20	65.6

D.C. REFRIGERATION COMPRESSORS

FOR FRIGDES UP TO 3.5 cu.ft / 100 lt	ROMA 35F PARIS 35F MADRID 35F	FOR FRIGDES UP TO 14.2 cu.ft 400 lt	SUPERFRIGOMATIC KW 50 F SUPERFRIGOMATIC K 50 F
FOR FRIGDES UP TO 5.6 cu.ft / 160 lt	CAPRI 35 F MALTA 35F		
FOR FRIGDES UP TO 12 cu.ft / 340 lt	CAPRI 50 F		
FOR FRIGDES UP TO 12 cu.ft 340 lt	AV35F AH35F W35F - W50F K35F - K50F		

HOLDOVER PLATE SYSTEMS

Engine driven Series 2000

Holding plates